



Electrolux
PROFESSIONAL

Blast Chillers CW Blast Chiller Crosswise - 15 kg

ITEM # _____

MODEL # _____

NAME # _____

SIS # _____

AIA # _____



726620 (RBC061)

Blast Chiller 15,2kg,
compatible with 6x1/1GN
crosswise Oven - R134A

Short Form Specification

Item No.

- Blast chiller with digital temperature and time display
- For 6 GN 1/1 or 5 600x400 mm trays
- Load capacity: chilling 15 kg (UK guidelines)
- Single sensor core probe
- Operating air temperature: +3 -12°C
- Automatic and manual defrosting
- Turbo cooling function
- Specific cycles for ice cream
- Evaporator with antirust protection
- HACCP and Service alarms with data logging
- Main components in 304 AISI stainless steel
- Internal rounded corners and drain
- Cyclopentane insulation (HCFC, CFC and HFC free)
- Built-in refrigeration unit
- R134a refrigerant gas (HCFC and CFC free)
- Performance guaranteed at ambient temperatures of 40°C

Main Features

- Automatic and manual defrosting.
- Blast Chilling cycle: 15 kg from 90°C up to 3°C in less than 90 minutes.
- Soft Chilling (air temperature -2°C).
- Hard Chilling (air temperature -12°C).
- Holding at 3 °C for chilling, automatically activated at the end of each cycle, to save energy and maintain the target temperature (manual activation is also possible).
- Turbo cooling: chiller works continuously at the desired temperature; ideal for continuous production.
- Two customizable cycles (P1 & P2) for each operating mode, allowing to set the time and air temperature. These programs can be converted into ice-cream specialized cycles (shape maintenance and holding).
- All information related to the different operating models are recorded: date, time, cycle, core temperature, holding temperature, HACCP accordance.
- Remaining time estimation for probe-driven cycles based on artificial intelligence techniques (ARTE) for an easier planning of the activities.
- Single sensor core probe as standard.
- Control unit provides two large displays to read out: time, core temperature, cycle countdown, alarms, service information.
- Performance guaranteed at ambient temperatures of +40°C.

Construction

- Refrigerant type: R134a.
- Built-in refrigeration unit.
- Removable magnetic door gasket with hygienic design.
- High density polyurethane insulation, 60 mm thickness, HCFC free.
- 304 AISI stainless steel construction throughout.
- Seamless hygienic inner cell with all rounded corners for easy cleaning.
- Swing hinged front panel for easy service access to main components.
- Ventilator swinging hinged panel for access to the evaporator for cleaning.
- No water connections required.
- Waste water can be plumbed into drain, but can also be collected in an optional waste container.

APPROVAL: _____



Experience the Excellence
www.electroluxprofessional.com

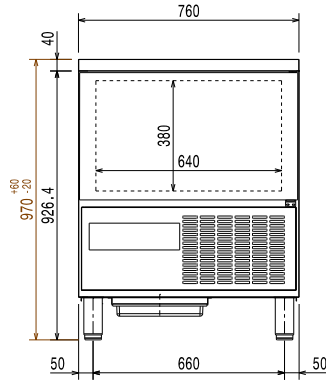
Included Accessories

- 1 of 1 single-sensor probe for blast chiller and blast chiller&freezers PNC 880213

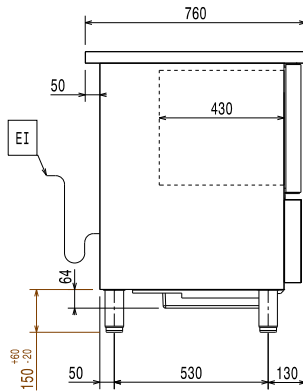
Optional Accessories

- Connectivity kit for AOC/ EasyLine and CW Blast Chillers/ Blast Chiller Freezers (ECAP) PNC 880183
- 1 single-sensor probe for blast chiller and blast chiller&freezers PNC 880213
- Rilsan grid 600x400mm PNC 880864
- Kit wheels for 15kg blast chiller&freezers PNC 881052
- Plastic coated grid, 1/1GN PNC 881061
- 4 wheels for blast chillers and blast chiller/freezers PNC 881097
- Stacking kit for 6 GN 1/1 convection oven on 15&25 kg blast chiller/freezer crosswise PNC 881528
- Pair of 1/1GN AISI 304 stainless steel grids PNC 921101
- Ethernet connector for ECAP protocol appliances PNC 922768

Front

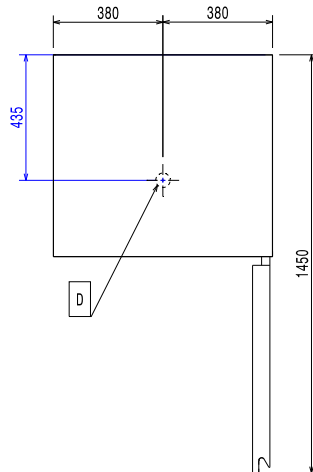


Side



EI = Electrical inlet (power)

Top



Electric

Supply voltage:
 726620 (RBC061) 220-230 V/1 ph/50 Hz
 Electrical power max.: 0.77 kW
 Circuit breaker required

Installation:

Clearance: 5 cm on sides and back.
 Please see and follow detailed installation instructions provided with the unit

Capacity:

GN: 6 - 1/1 containers

Key Information:

External dimensions, Width: 760 mm
 External dimensions, Depth: 760 mm
 External dimensions, Height: 970 mm
 Net weight: 95 kg
 Shipping weight: 100 kg
 Shipping volume: 0.81 m³

Refrigeration Data

Refrigeration power at evaporation temperature: -5 °C

Product Information (EN17032 - Commission Regulation EU 2015/1095)

Chilling Cycle Time (+65°C to +10°C): 111 min
 Full load capacity (chilling): 20 kg

Sustainability

Refrigerant type: R134a
 GWP Index: 1300
 Refrigeration power: 707 W
 Refrigerant weight: 800 g
 Energy consumption, cycle (chilling): 0.068 kWh/kg